

You can now transform your home with traditional sash windows loaded with modern features



*Rose*  
collection

Stylish, authentic uPVC sash windows





# Rose collection

For years new sash windows came with a dilemma. Did you go for the low maintenance, energy efficiency and incomparable all-round performance of uPVC? Or the unmistakable charm and character you could only get with timber, and risk ending up with expensive, high-maintenance windows that were a headache to paint?

Now, that's no longer an issue. With the Rose Collection, you have expertly-crafted, impeccably-finished uPVC sash windows that are indistinguishable from genuine timber. Developed over 25 years, Rose Collection windows have been precisely engineered to match a classic timber vertical-sliding sash down to the finest details, without compromising on energy efficiency, thermal insulation or ease-of-maintenance. The result – a best-of-both-worlds blend of the timeless class of the old and the convenience of the new.

## Content

The Ultimate Rose	P3
Technical Information	P5
The Heritage Rose	P6
Technical Information	P8
The Charisma Rose	P11
Technical Information	P13
Comparison of models	P14
The Rose Collection Benefits	P16
Specialist in our Field	P19
Recent Projects	P20



*Art and innovation embodied – simply the most authentic uPVC sash window available*

Here's what makes it so spectacular:



**The Outside**

- Full mechanical joints
- Putty lines on outside
- Woodgrain finish
- Authentic astragal bars
- 35mm meeting rail
- Run-through sash horn
- Deep bottom rail



## The **Ultimate** Rose

The Ultimate Rose is the epitome of the Rose Collection design philosophy – an outstandingly authentic, exceptionally-performing and work of art.

The Ultimate Rose was one of the very first uPVC sash windows to be cleared for use in conservation areas – and it's still the best. With slim timber-like profiles and a 35mm meeting rail, no other sash window looks as authentic. And with period features as painstakingly detailed as full mechanical joints, deep bottom rail and external putty lines, it would take an expert to tell it apart from a genuine timber sash.

What's more, you get all that careful craftsmanship, historic detailing and vintage appeal with the all-round exceptional performance of twenty-first century uPVC. It's why we call it the Ultimate Rose.

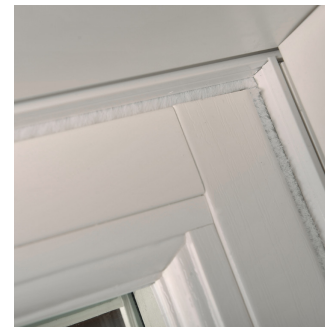
**Ultimate Rose Period Features**

It's the little things that make the Ultimate Rose special – the tiny details that make it virtually indistinguishable from a classic timber sash.

Huge effort over decades has gone into making the Ultimate Rose as authentic as it can possibly be – culminating in a much-coveted G Award in 2013.



Meeting rail with RTH



Full mechanical joints



Traditional globe claw furniture



Woodgrain finish

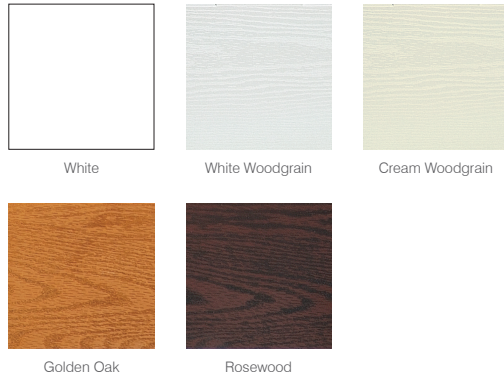


- Full mechanical joints emulating traditional joinery
- Run-through sash horn
- Authentic woodgrain finish
- Traditional globe claw furniture
- Ultra slim sightlines, including 35mm meeting rail
- Authentic surface-mounted astragal bars in a range of period designs
- A-rating as standard
- Tilt facility for easy cleaning
- Maintenance free – no more painting!
- Accepted in many conservation areas



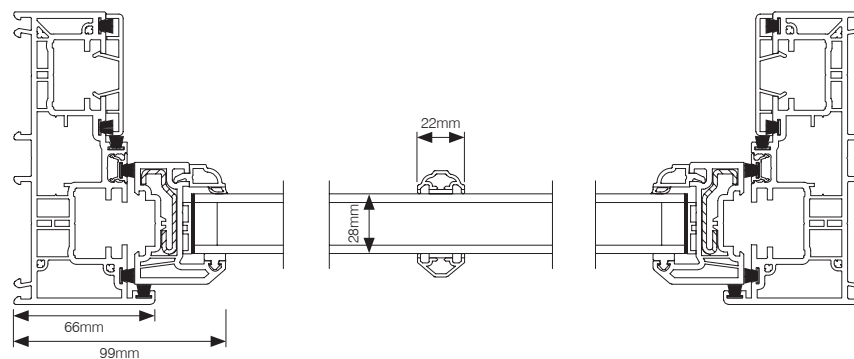
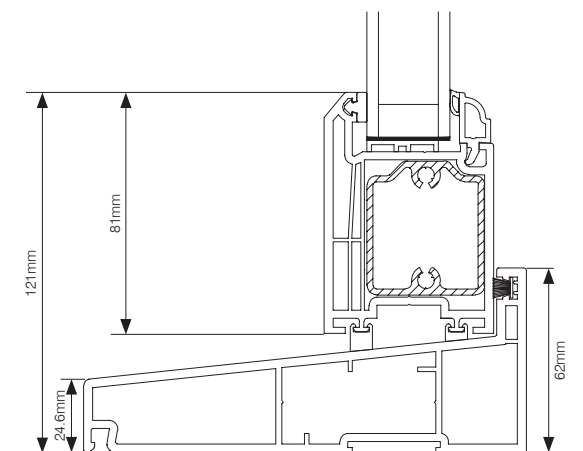
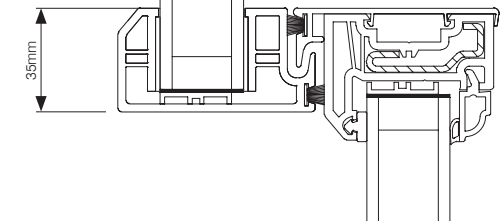
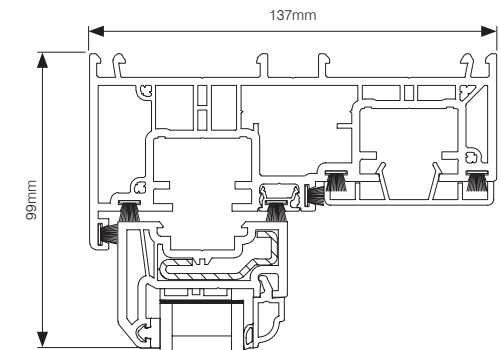
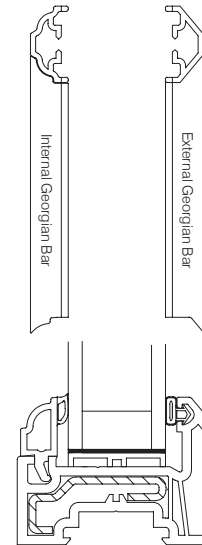
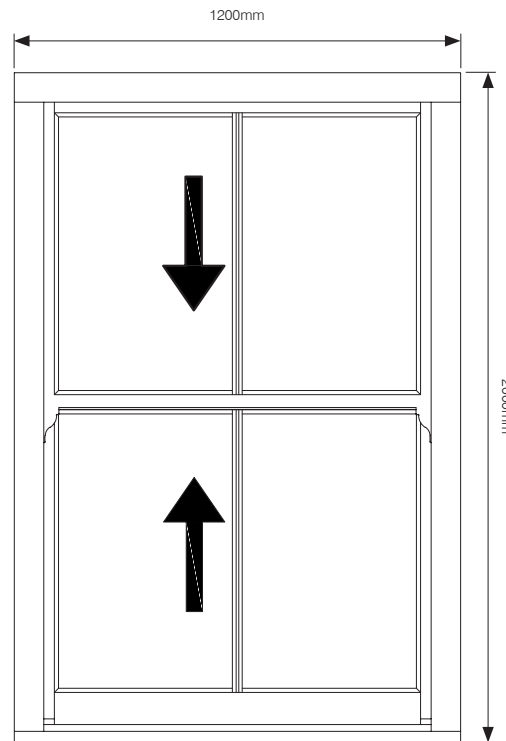
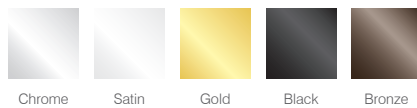
# The **Ultimate** Rose

## Colour options



We can also supply the Ultimate Rose window in any RAL colour. Please ask for details.

## Colour hardware options



Here's what makes it so spectacular:



**The Outside**

- Authentic putty lines & glass lines
- Range of textures and colours available
- Period astragal bars available in various designs
- 44mm meeting rail
- Optional run-through sash horn
- Deep bottom rail

## The **Heritage** Rose

Authenticity is the watchword of the Heritage Rose. Accepted for use in conservation areas as discerning as the London Borough of Kensington and Chelsea, Lincoln, Worcester, and Cambridge, the Heritage Rose looks every inch the iconic timber sash window – while delivering the convenience and all-round excellence of modern uPVC.

All around the UK, more and more people are choosing the Heritage Rose when it comes to replacing their existing windows – won over by a generous selection of colour and finishing options, its robust energy and security performance, and, above all, its incomparable vintage charm.

With its sleek sight-lines, deep bottom rail, external putty lines and other period detailing, the Heritage Rose is near-indistinguishable from a timber original, offering a level of class and authenticity second only to the Ultimate Rose.



Meeting rail and RTH



Acorn furniture



Polished weld (Optional)



Deep bottom rail

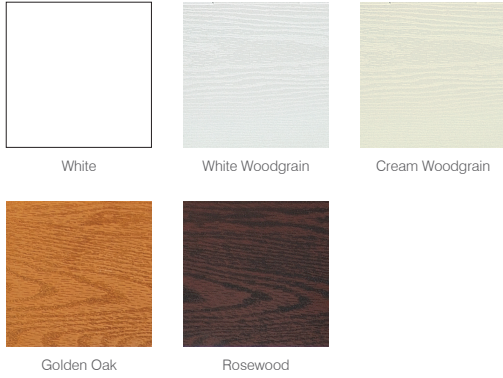




*Impeccably authentic,  
and accepted in  
conservation areas  
right across the UK*

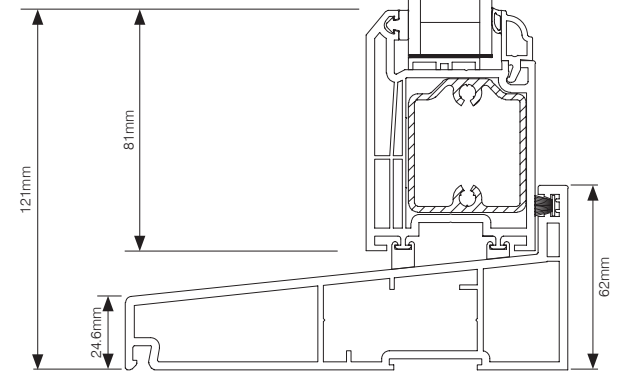
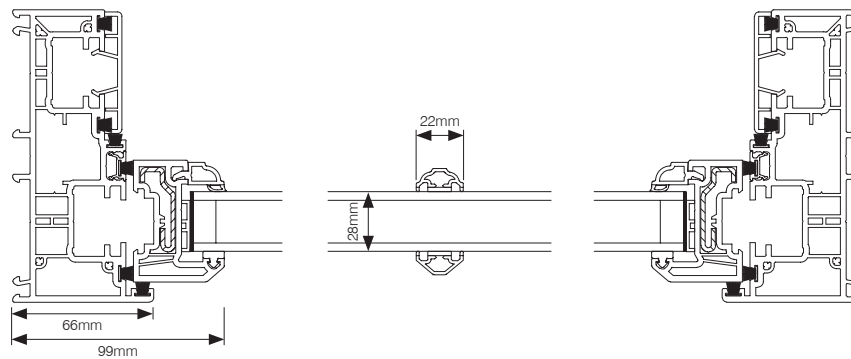
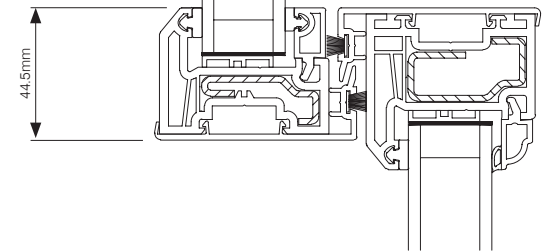
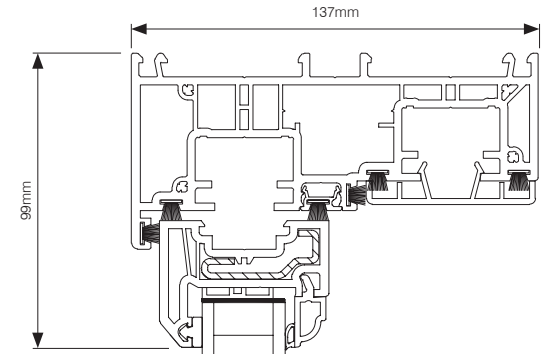
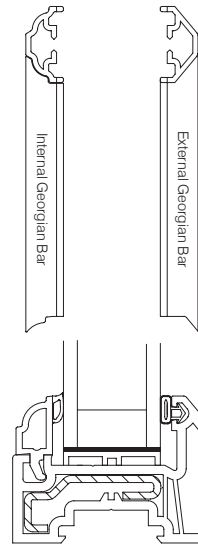
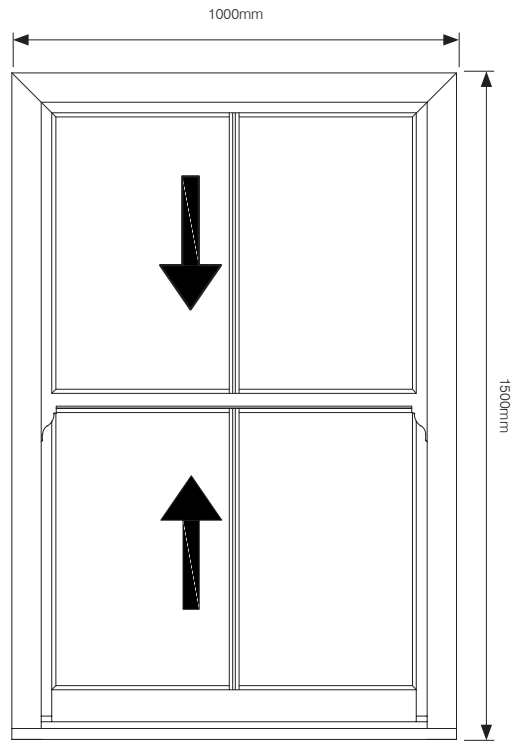
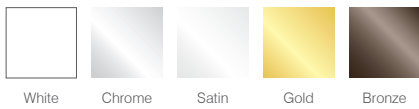
# The **Heritage** Rose

## Colour options



We can also supply the Heritage Rose window in any RAL colour. Please ask for details.

## Colour hardware options





- A-rated energy efficiency
- Tilting sashes for easy cleaning
- Secured by Design-enhanced window security (optional)
- Authentic astragal bar designs and layouts
- Extensive array of colours & woodgrain finishes
- Wide choice of window furniture and glazing options
- Limit stops that restrict how far sashes open, enhancing safety (optional)
- Market-leading authenticity, with deep bottom rails, putty lines and decorative sash horns





*Competitively priced versatility,  
packed with modern features  
and benefits*

Here's what makes it so spectacular:



**The Outside**

- Oval featured design detail
- Authentic astragal bars available in various period designs
- Range of textures and colours available
- Modern lines with 60mm meeting rail
- Clip-on horns (or run-through sash horns as optional extra)
- Anti-jemmy bar

## The **Charisma** Rose

Take one of the most respected, competitively-priced uPVC systems on the market and turn it into an impeccably stylish timber-effect sash window – that's the genius of the Charisma Rose.

With a more contemporary appearance than either of its Rose Collection siblings, the Charisma Rose is a hugely versatile window, ideally suited to everything from upgrading existing windows on older properties to adding retro-chic to newly built homes.

Inward tilting for easy cleaning, hassle-free maintenance and an extensive variety of finishing and hardware options make the Charisma Rose one of the all-round best sash windows currently available!

**Charisma Rose General Features**

The Charisma Rose delivers affordable authenticity – a significant cut above your standard uPVC sash with both its vintage detailing, and outstanding all-round performance.

A made-to-measure Charisma Rose won't rattle, warp or rot – and will deliver standout features



Anti-jemmy bar



Run-through horn (optional)



Acorn furniture



Welded joints



- Anti-jimmy bar
- A-rated energy efficiency
- Tilting sashes for easy cleaning
- Secured by Design enhanced window security (optional)
- Extensive range of colours and options
- Optional deep bottom rail
- Wide choice of furniture colours and glass options
- Safety-enhancing limit stops (optional)



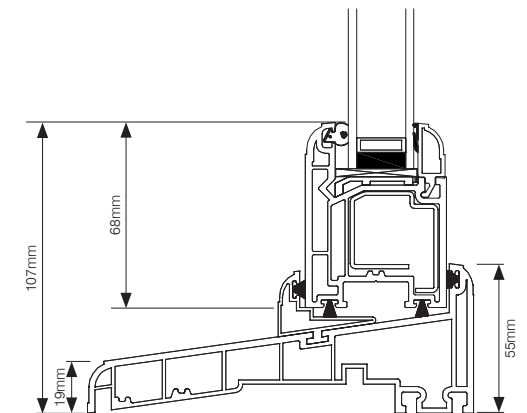
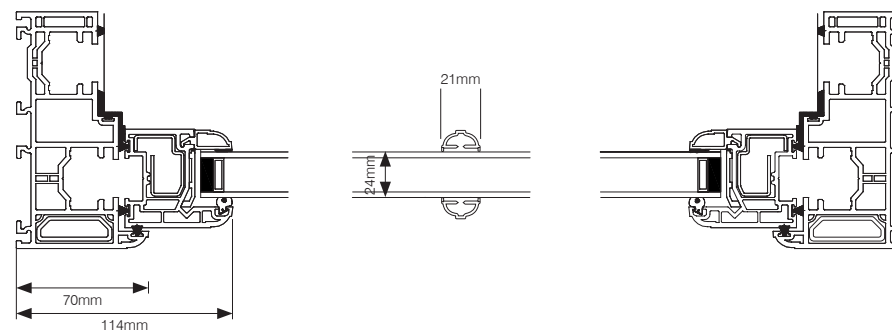
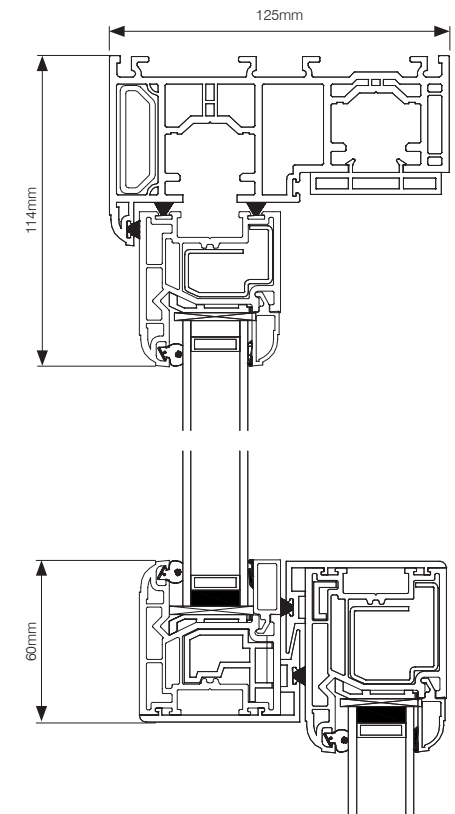
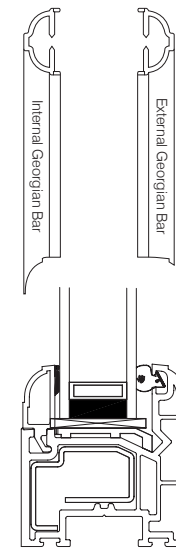
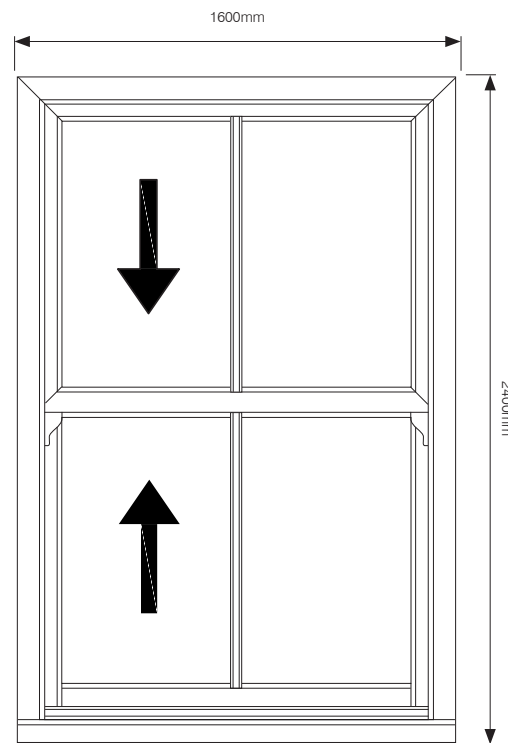
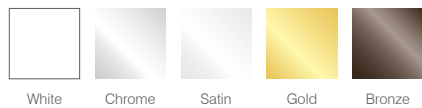
# TheCharismaRose

## Colour options



We can also supply the Charisma Rose window in any RAL colour. Please ask for details.

## Colour hardware options





The Rose Collection delivers unbeatable authenticity and exceptional performance – but as a range it's also hugely versatile, able to suit a diverse array of properties, budgets and applications.

The Collection consists of three core products – the Charisma Rose, the Heritage Rose and the Ultimate Rose. All three models have some things in common:

- All are A-rated for energy efficiency
- All can be delivered in a wide range of wood-effect finishes
- All can be sprayed in practically any colour
- All available with arched heads and configured as bay or combination windows.

## Comparison of models



### UltimateRose

<b>Run-through Horn</b>	Standard
<b>Meeting Stile</b>	35mm
<b>Corner Detail</b>	Mechanical
<b>Woodgrain</b>	Standard
<b>Deep Bottom Rail</b>	Standard
<b>Polished Welds</b>	Not Available
<b>85mm Slim Mullion</b>	Option
<b>Secured By Design</b>	Optional Extra
<b>Arches</b>	Optional Extra
<b>Locks</b>	Globe Hook
<b>Profile Detail</b>	Bevelled
<b>Anti-jemmy bar</b>	Not Available





## HeritageRose

<b>Run-through Horn</b>	Optional Extra
<b>Meeting Stile</b>	44mm
<b>Corner Detail</b>	Welded
<b>Woodgrain</b>	Optional Extra
<b>Deep Bottom Rail</b>	Standard
<b>Polished Welds</b>	Optional Extra
<b>85mm Slim Mullion</b>	Option
<b>Secured By Design</b>	Optional Extra
<b>Arches</b>	Optional Extra
<b>Locks</b>	Acorn
<b>Profile Detail</b>	Bevelled
<b>Anti-jemmy bar</b>	Not Available



## CharismaRose

<b>Run-through Horn</b>	Optional Extra
<b>Meeting Stile</b>	60mm
<b>Corner Detail</b>	Welded
<b>Woodgrain</b>	Optional Extra
<b>Deep Bottom Rail</b>	Optional Extra
<b>Polished Welds</b>	Not Available
<b>85mm Slim Mullion</b>	Not Available
<b>Secured By Design</b>	Optional Extra
<b>Arches</b>	Optional Extra
<b>Locks</b>	Acorn
<b>Profile Detail</b>	Ovalo
<b>Anti-jemmy bar</b>	Standard

## Rose Collection **Benefits**



We've spent a long time producing the show-stopping vintage aesthetics of the Rose Collection. For years, the biggest drawback of uPVC was its appearance. It was durable, weather resistant, thermally efficient - but it looked like plastic.

Now, we've made uPVC look as good as it's ever looked – which means you can finally fully appreciate the

fantastic benefits this all-round exceptional material has to offer.

Our uPVC sash windows are brilliantly versatile, able to be customised with an extensive range of astragal bar designs and other features, they're blissfully easy to keep clean, and require incredibly little maintenance – all while delivering incomparable vintage aesthetics.

### **Energy**

Each Rose Collection window has been awarded thermal efficiency rating: A.

A-rated windows bring significant savings on home energy bills - and are better for the environment too. Given that the Building Research Establishment's authoritative Green Guide has already declared uPVC windows as equal to or even better than timber when it comes to sustainability, environmental impact and energy efficiency, you can rest assured that when you purchase a Rose Collection window, you're making an environmentally responsible choice.

What's more, unless properly maintained and regularly treated and repainted, timber is liable to warp, rot or otherwise lose performance under sustained exposure to the elements. UPVC suffers from none of these problems – meaning that a Rose Collection window will stay beautiful for decades to come.

### **Security**

The most important consideration of all, though, is security. For your safety, your family's safety, and the security of everything you own, it's vital that your windows are as secure as they can possibly be.

To help consumers make informed decisions when it comes to window security, the police have introduced an initiative called Secured by Design. Based on the Enhanced Window Security British Standard (BS 7950), SBD testing requires windows to demonstrate they have been designed with the utmost security in mind, as judged by the Association of Chief Police Officers. Only then can products be registered as Secured by Design.

If you would like your Rose Collection products to be Secured by Design accredited, you can request them as such when you place an order.

A photograph of a living room. On the left, a large bay window with white frames looks out onto a green lawn and trees. The room has a deep red wall. A television sits on a wooden stand with glass doors. A white radiator is on the wall. A plaid sofa is in the foreground. Sunlight casts shadows on the wall.

*Not only the most authentic uPVC sash windows on the market, but among the most thermally efficient*



Product: Ultimate Rose



Product: Ultimate Rose



Product: Ultimate Rose with Slim Mullion

## Specialists in our field

It's the scrupulous, craftsman-like attention to detail that sets the Rose Collection apart from the competition – and that makes our products the most authentic on the market.

But that's not all: we pride ourselves on doing our utmost to tailor Rose Collection products to the needs of individual homeowners.

No matter the complexity or peculiarity of your

specific requirements, or the type of property you live in, we've got the knowledge and experience to provide Rose Collection windows perfectly tailored to your home.

From 85mm slim mullion combinations (instead of the usual 132mm) to complex astragal bar designs, coloured glass and more, we can produce a Rose Collection window that makes your vision a reality.

Edwardian

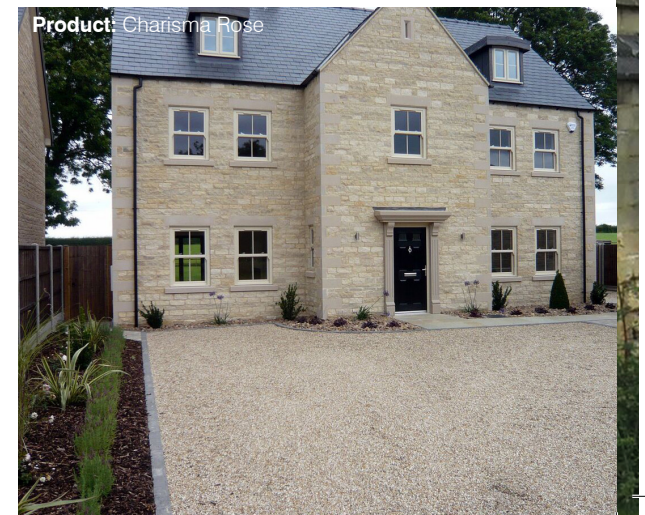


Georgian



Victorian



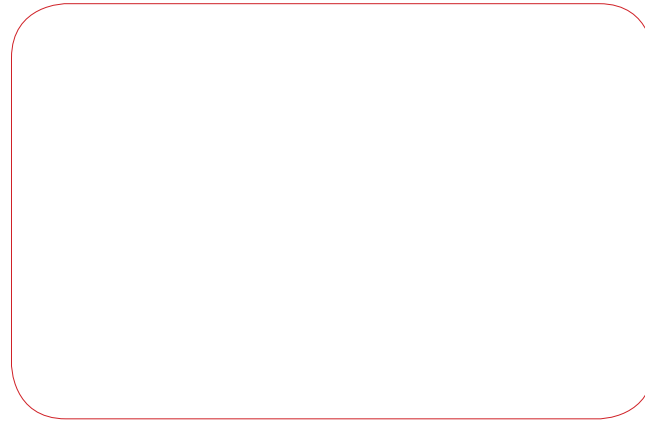


*Rose*  
collection

Original Timber Sash Window



*Charisma* *Heritage* *Ultimate*  
rose rose rose



Your local Rose Collection Installer:

Manufactured by

*Roseview*  
windows



@\_RoseCollection



@Rosesashwindows



@Roseview\_Windows